

# Series 9000

## PILOT LIGHT BAR

Fully featured Class I/II Pilot light bar, with a balanced array of LEDs providing an even distribution of light in both operation modes



The Series 9000 Class I/II Pilot light bar has been specifically designed to meet the demands of the busy professional A grade pilot. The focus is on providing a highly effective, fully functional Class I/II light bar that can be relied upon to perform every time, all the time. The S9000 has an alloy plate covering the light bar which offers the polycarbonate lenses protection from the harmful effects of the NZ sun, this helps to prevent discolouration and cracking. The LED modules and electronics are encased and fully sealed against the environment. The S9000 offers all the functionality one would expect to find in a Class I/II light bar, operated from compact controller that can be positioned anywhere in your cab with ease.

### Features

- Sealed polycarbonate lenses
- High intensity LED modules (x22)
- Outputs for grill lights (x2)\*\*
- Output for sign lights (x1)\*\*
- Efficient – low power consumption
- Protective alloy top cover
- Alloy base with adjustable SS feet
- 360 degrees of high impact warning
- Silent, no wind noise, no mechanical noise

\*\* Grill lights and sign lights sold separately

### Controller

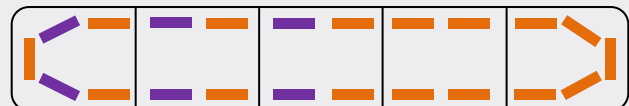
Compact controller, touch screen panel with 8 back lit switches. Provides finger-tip control of the following functions

- Class I operation mode
- Class II operation mode
- Front only
- Rear only
- Grill lights Amber
- Grill lights Magenta
- Sign Light
- Flash pattern selection

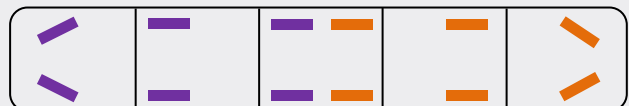


### Layout and operation modes

LED layout, 22 LED modules in total



Class 1 operation mode

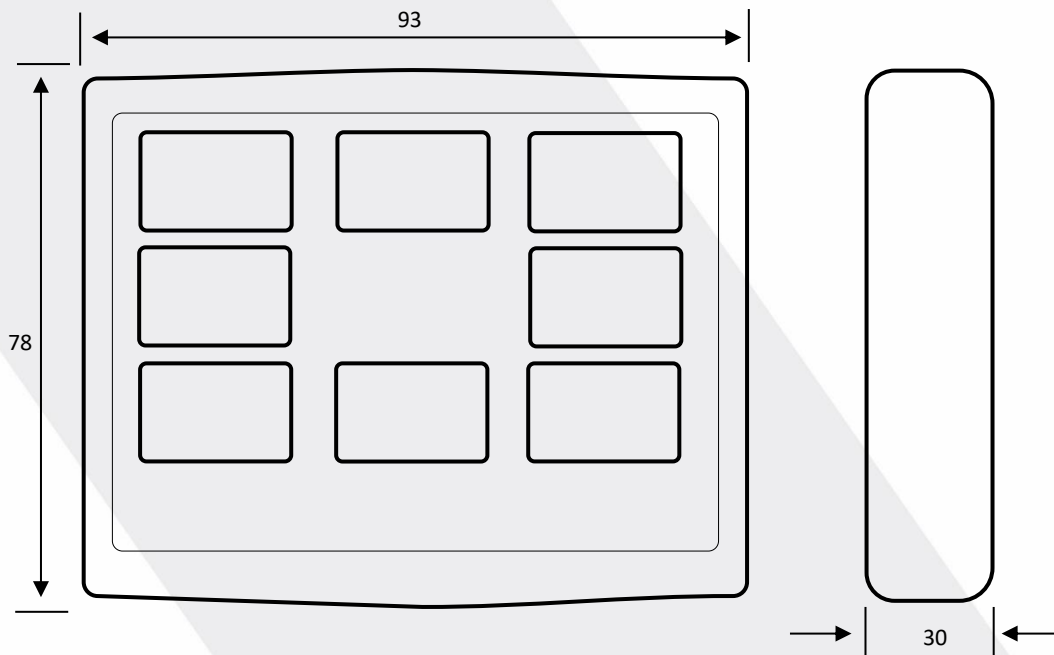


Class 2 operation mode



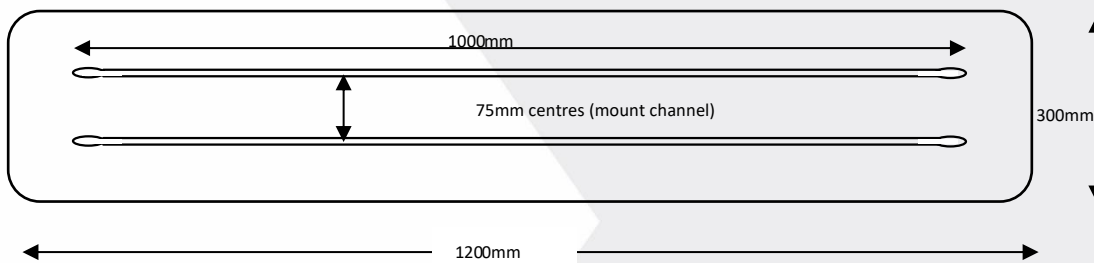
## Controller

The 8 switch controller can be positioned anywhere in the cab by means of double sided self-adhesive tape or via the convenient mounting bracket provided.

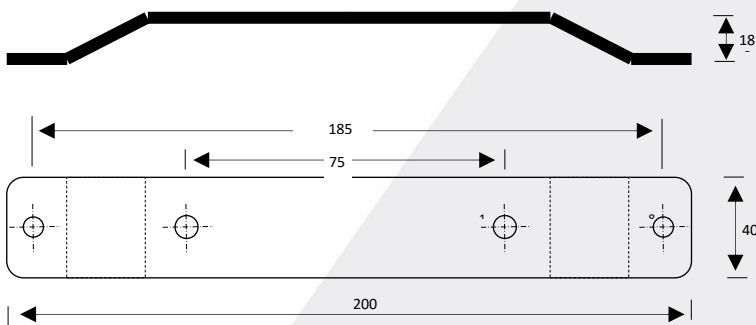


## Mounting Arrangement

Mounting channels exist along an alloy base. These accommodate the supplied 10mm coach bolts. Mounting feet are supplied predrilled at 75mm centres to match the channels



## Mounting Feet



A pair of stainless-steel mounting legs are provided, these can be positioned anywhere along the mounting channel.

All dimensions are in mm